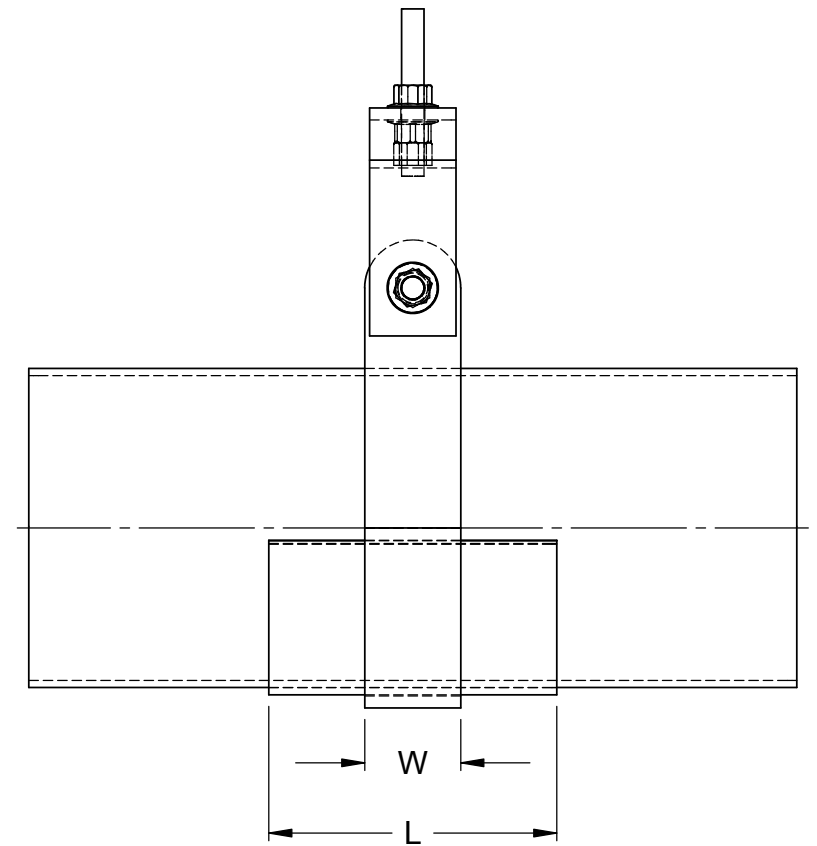
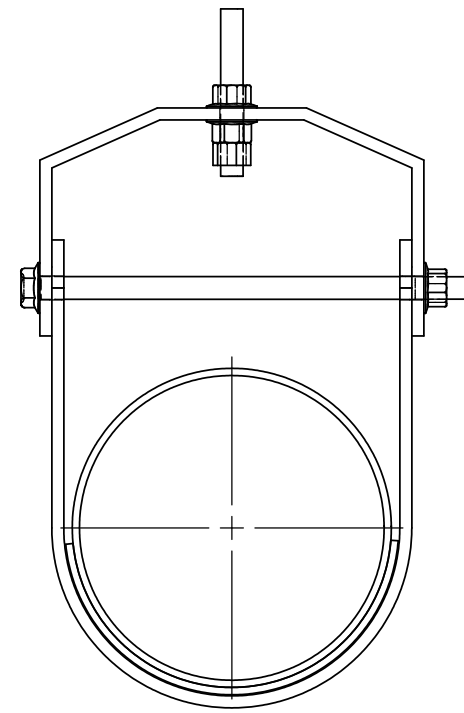
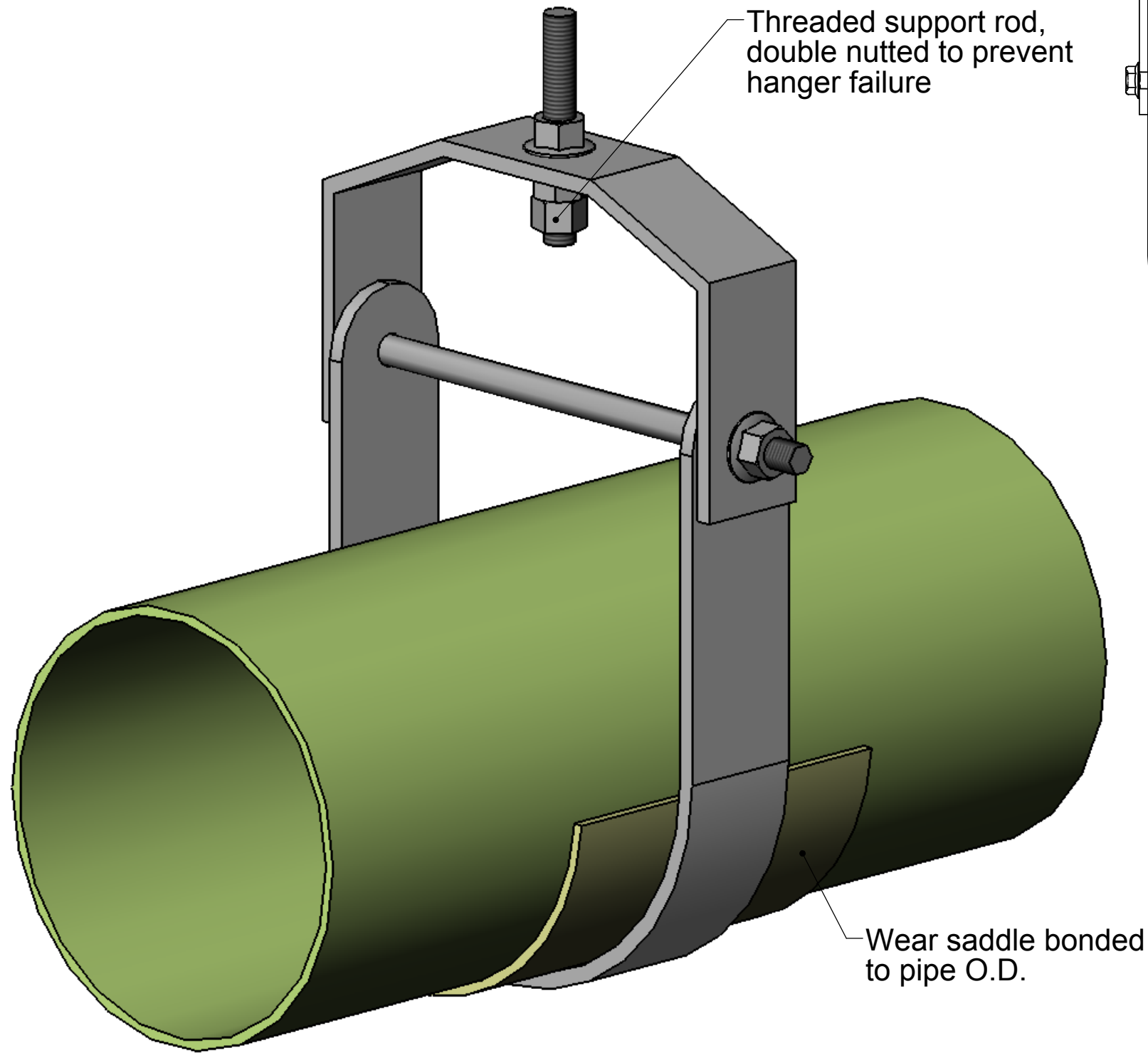


NOTES:



Pipe Support Saddle Length (L) – Minimum Steel Width (W)
 Use when circumferential contact less than 180°, or support steel width less than indicated minimum

Pipe Size (in)	CL-2030, RB-2530, Chem Thread, Z-Core		Red Thread II, Green Thread, Silver Streak, F-Chem, CL-1520, RB-1520	
	Min Steel Width (in)	Contact Angle 110 – 120°	Min Steel Width (in)	Contact Angle 170 - 180°
1"	7/8	3	7/8	2
1 1/2"	7/8	3	7/8	2
2"	7/8	4	7/8	4
3"	1-1/4	4	1-1/4	4
4"	1-1/4	4	1-1/4	4
6"	1-1/2	4	1-1/2	6
8"	1-3/4	5-5/8"	1-7/8	8
10"	1-3/4	8-3/8"	2-5/8	10
12"	2	8-3/8"	3-1/4	12
14"	2	8-3/8"	4	12
16"	-	-	4	12
18"	-	-	4	12
20"	-	-	4	12
24"	-	-	4	12

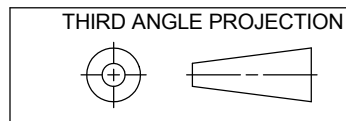
*Support saddles should be bonded or banded in position.
 *Industrial adhesive (ie. Liquid Nails) may be used for support saddles

Eastern Canada #1 - 125 Main Street Woodstock, Ontario N4S 1T1
 Western Canada #100, 18012 - 105 Avenue Edmonton, Alberta T5S 2P1
 Toll Free: (800) 410-4802
 Fax: (519) 537-8321
 frp@frpsolutions.com

Fibreglass Solutions Inc.

Clevis Hanger

FRP-H-1



CUSTOMER X	DATE 27 Jan 06
PROJECT Anchor, Support and Guide Design	DATE 28 Feb 06
DRAWN BY J.GANDER	DATE 18 Apr 06
CHECKED BY B.GOWLAND	
APPROVED BY B.GOWLAND	

TITLE	SIZE	DRAWING NO	REVISION
	-		-
SCALE	Not to Scale	WEIGHT	N/A lbs
			SHEET 1 OF 1