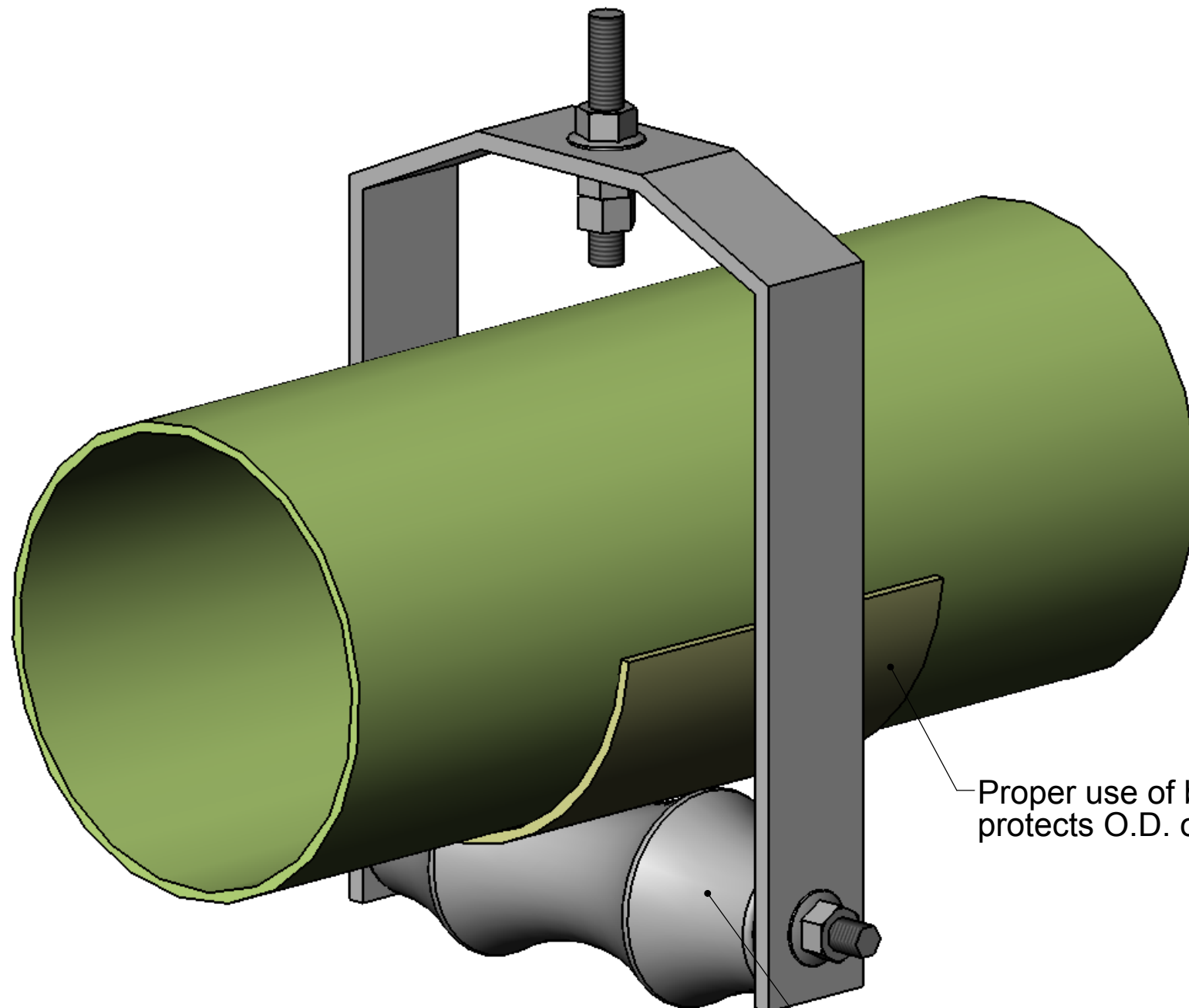
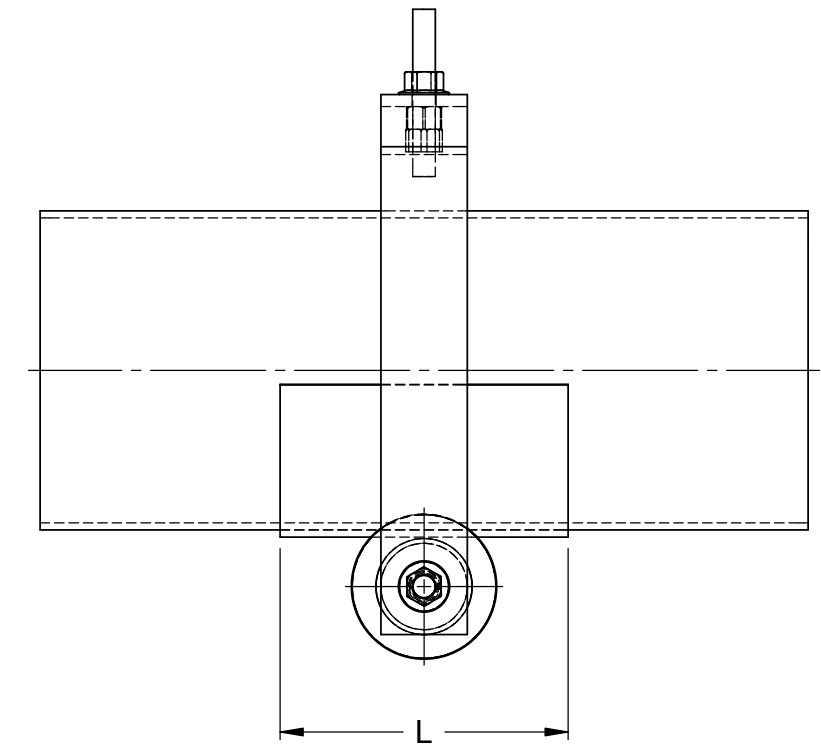
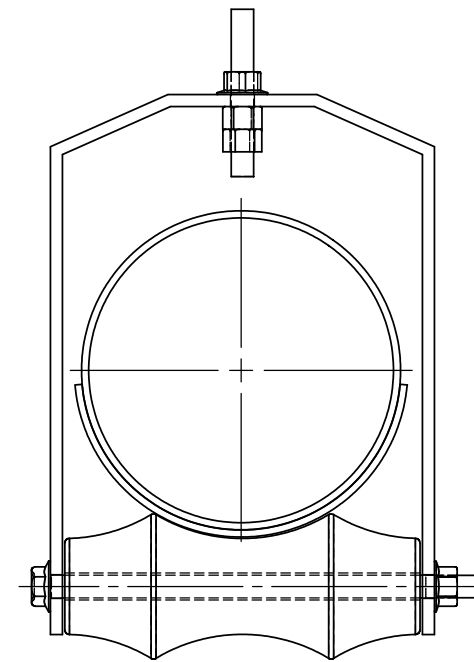


NOTES:



Proper use of bonded wear saddle protects O.D. of pipe

Roller provides support and free axial movement



Pipe Support Saddle Length (L)

Pipe Size (in)	CL-2030, RB-2530, Chem Thread, Z-Core	Red Thread II, Green Thread, Silver Streak, F-Chem, CL-1520, RB-1520
Contact Angle	110 – 120°	170 - 180°
1"	3	2
1 1/2"	3	2
2"	4	4
3"	4	4
4"	4	4
6"	4	6
8"	5 5/8"	8
10"	8 3/8"	10
12"	8 3/8"	12
14"	8 3/8"	12
16"	-	12
18"	-	12
20"	-	12
24"	-	12

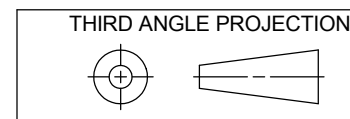
* Support saddles should be bonded or banded in position.

Eastern Canada #1 - 125 Main Street Woodstock, Ontario N4S 1T1
 Western Canada #100, 18012 - 105 Avenue Edmonton, Alberta T5S 2P1
 Toll Free: (800) 410-4802
 Fax: (519) 537-8321
 frp@frpsolutions.com

Fibreglass Solutions Inc.

Roller Hanger

FRP-H-3



CUSTOMER X	DATE 27 Jan 06
PROJECT Anchor, Support and Guide Design	DATE 28 Feb 06
DRAWN BY J.GANDER	DATE 18 Apr 06
CHECKED BY B.GOWLAND	
APPROVED B.GOWLAND	

TITLE	SCALE	WEIGHT	REVISION
Roller Hanger	Not to Scale	N/A lbs	
			FRP-H-3
			SHEET 1 OF 1