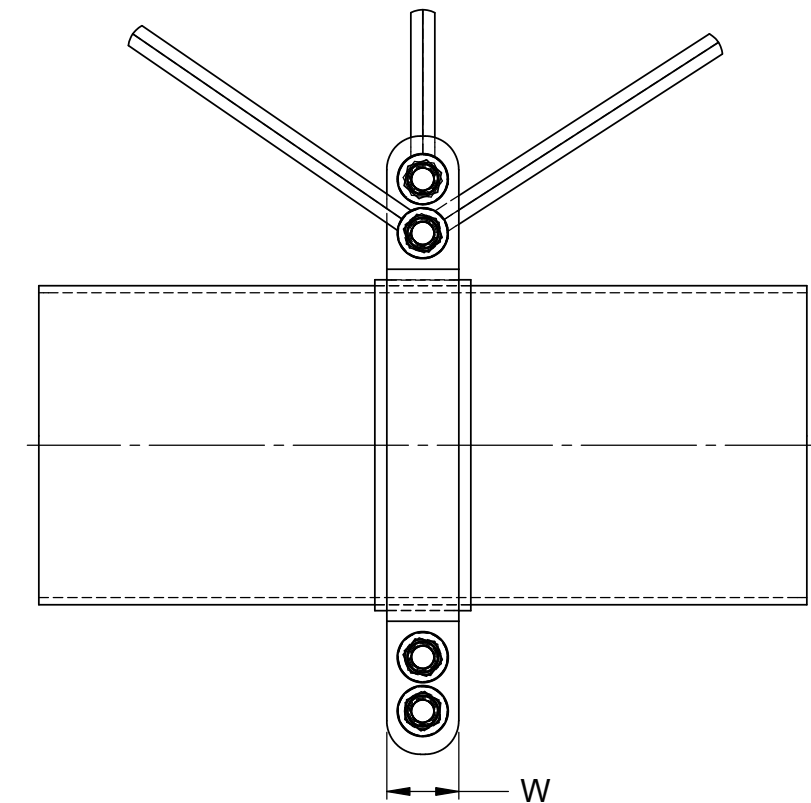
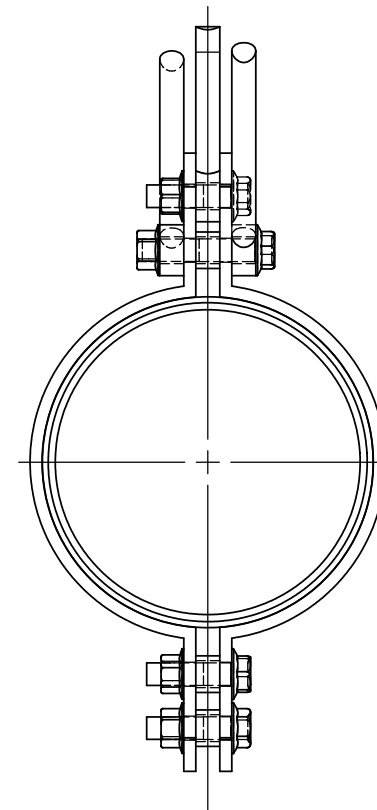
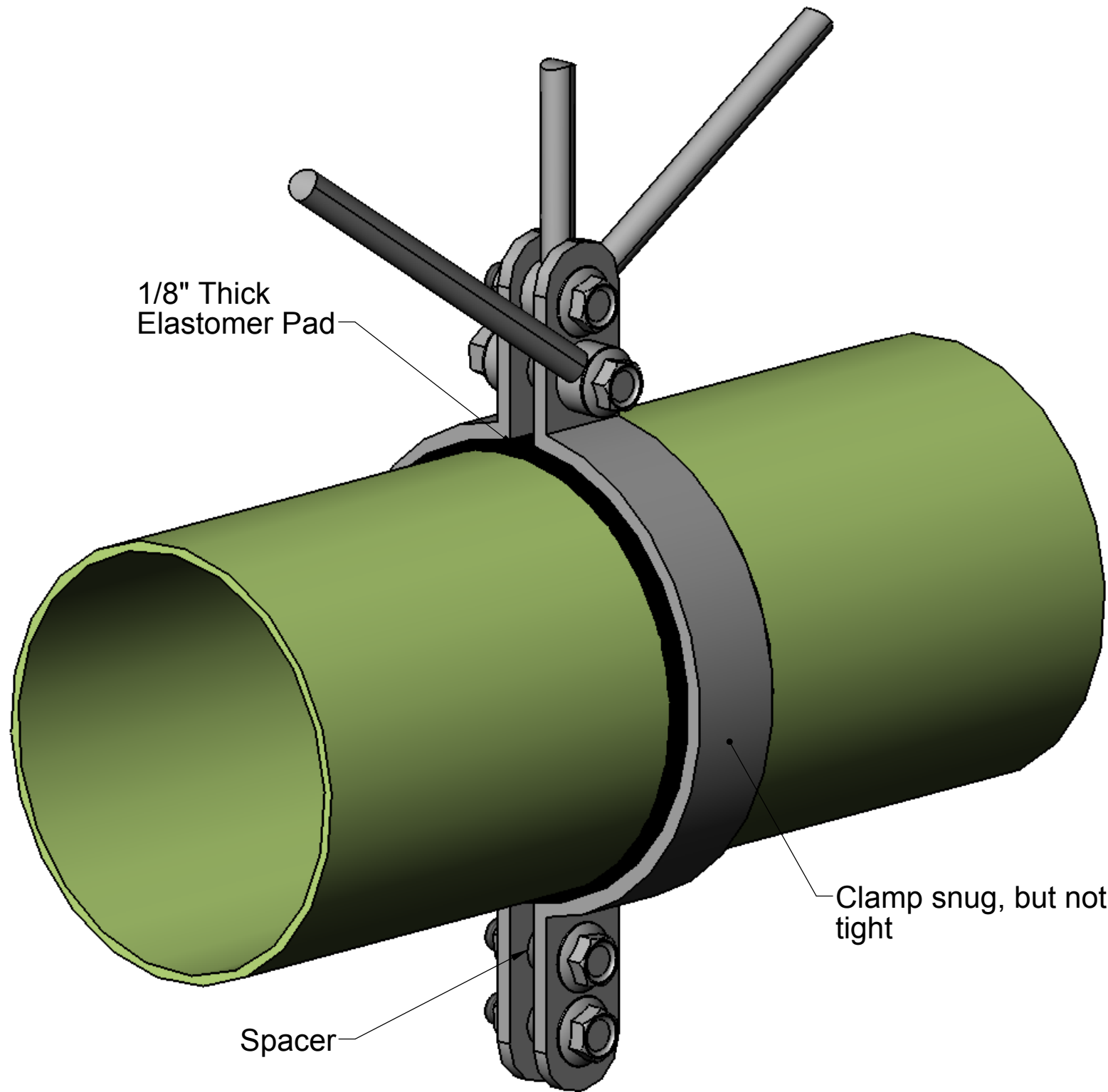


NOTES:



**Steel Minimum Support Width (W) – 180° Contact (Saddles Not Required)**

Pipe Size (in)	CL-2030, RB-2530, Chem Thread, Z-Core	Red Thread II, Green Thread, Silver Streak, F-Chem, CL-1520, RB-1520
1"	7/8"	7/8"
1 1/2"	7/8"	7/8"
2"	7/8"	7/8"
3"	1 1/4"	1 1/4"
4"	1 1/4"	1 1/4"
6"	1 1/2"	1 1/2"
8"	1 3/4"	1 7/8"
10"	1 3/4"	2 5/8"
12"	2"	3 1/4"
14"	2"	4"
16"	-	4"
18"	-	Contact Supplier.
20"	-	Contact Supplier.
24"	-	Contact Supplier.

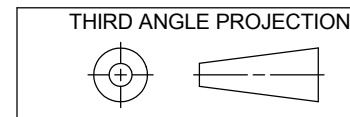
\* A thin layer of elastomer should be placed between the bracket and the pipe.

Eastern Canada #1 - 125 Main Street Woodstock, Ontario N4S 1T1  
 Western Canada #100, 18012 - 105 Avenue Edmonton, Alberta T5S 2P1  
 Toll Free: (800) 410-4802  
 Fax: (519) 537-8321  
 frp@frpsolutions.com

**Fibreglass Solutions Inc.**

**Trapeze Hanger**

**FRP-H-4**



CUSTOMER: X  
 PROJECT: Anchor, Support and Guide Design  
 DRAWN BY: J.GANDER DATE: 24 Jan 06  
 CHECKED BY: B.GOWLAND DATE: 28 Feb 06  
 APPROVED BY: B.GOWLAND DATE: 18 Apr 06

SCALE: Not to Scale WEIGHT: N/A lbs SHEET 1 OF 1