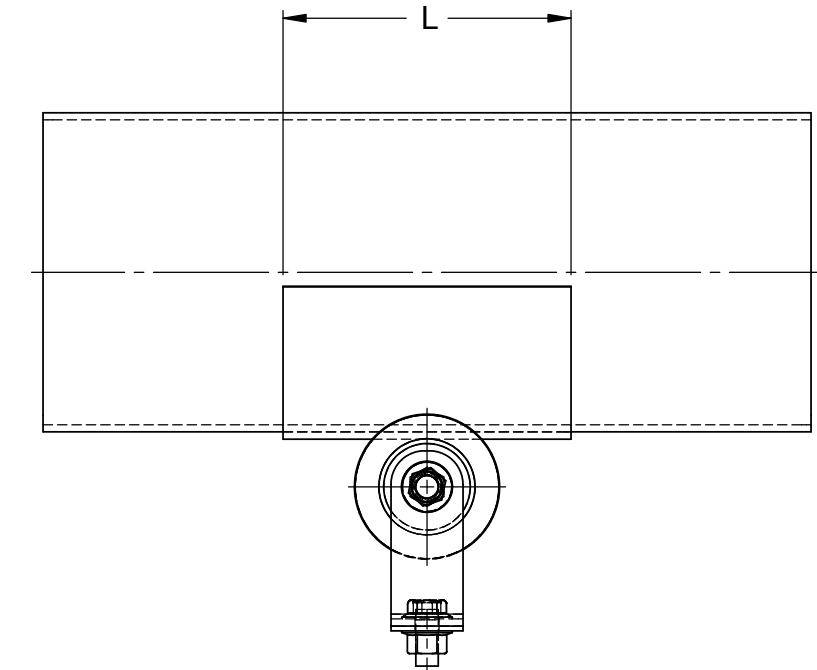
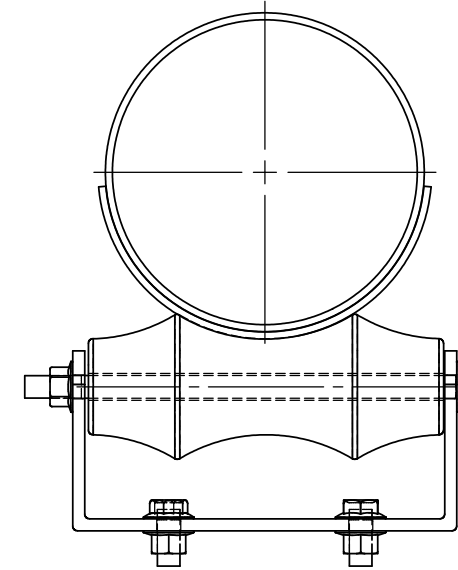
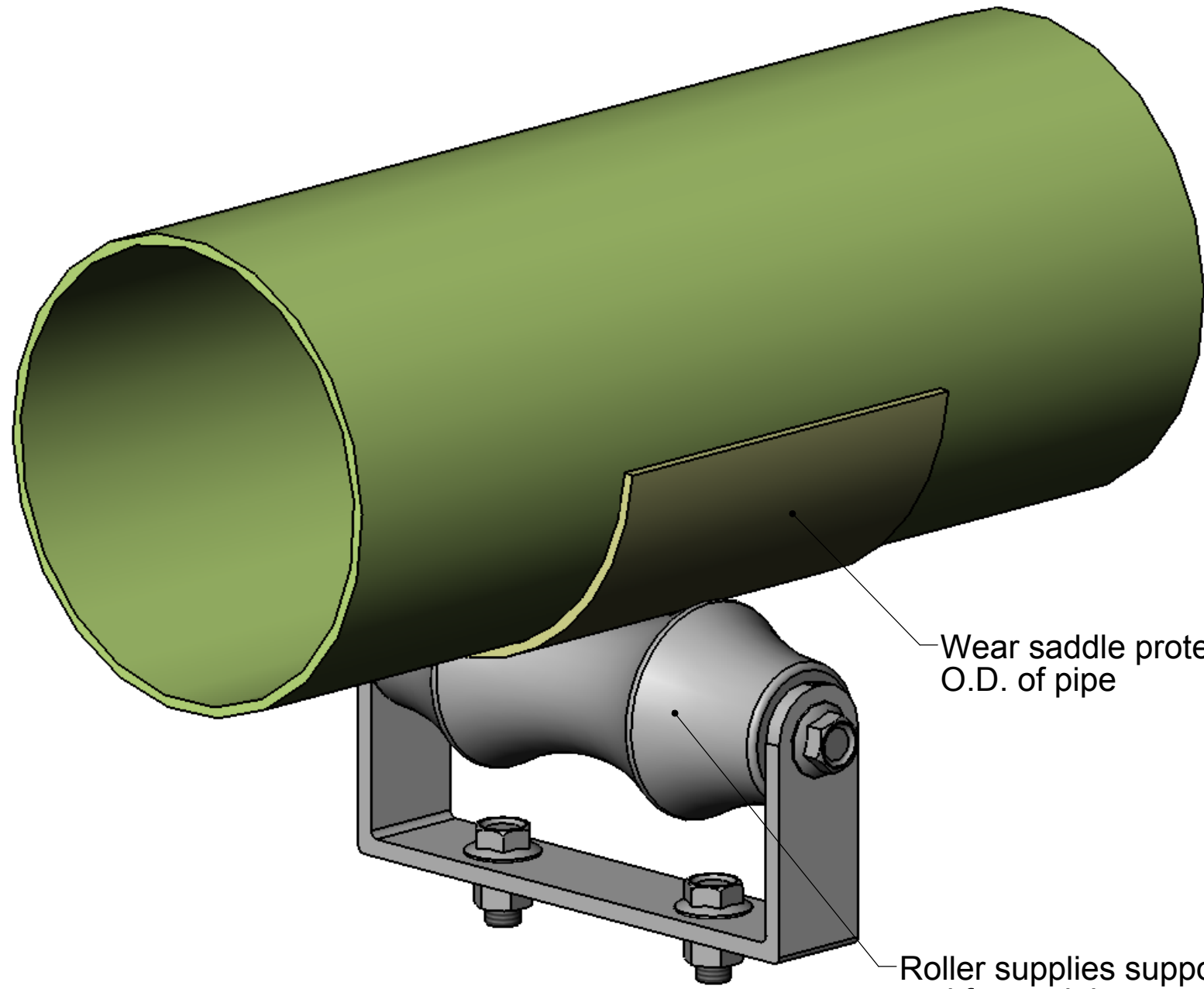


NOTES:



Pipe Support Saddle Length (L)

Pipe Size (in)	CL-2030, RB-2530, Chem Thread, Z-Core	Red Thread II, Green Thread, Silver Streak, F-Chem, CL-1520, RB-1520
Contact Angle	110 – 120°	170 - 180°
1"	3	2
1 1/2"	3	2
2"	4	4
3"	4	4
4"	4	4
6"	4	6
8"	5 5/8"	8
10"	8 3/8"	10
12"	8 3/8"	12
14"	8 3/8"	12
16"	-	12
18"	-	12
20"	-	12
24"	-	12

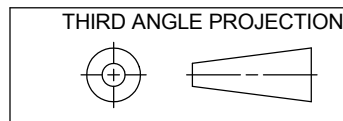
* Support saddles should be bonded or banded in position.

Eastern Canada #1 - 125 Main Street Woodstock, Ontario N4S 1T1
 Western Canada #100, 18012 - 105 Avenue Edmonton, Alberta T5S 2P1
 Toll Free: (800) 410-4802
 Fax: (519) 537-8321
 frp@frpsolutions.com

FibreglassSolutions Inc.

Roller Support

FRP-R-1



CUSTOMER: X
 PROJECT: Anchor, Support and Guide Design
 DRAWN BY: J.GANDER DATE: 27 Jan 06
 CHECKED BY: B.GOWLAND DATE: 28 Feb 06
 APPROVED BY: B.GOWLAND DATE: 18 Apr 06

SCALE: Not to Scale WEIGHT: N/A lbs
 SHEET 1 OF 1