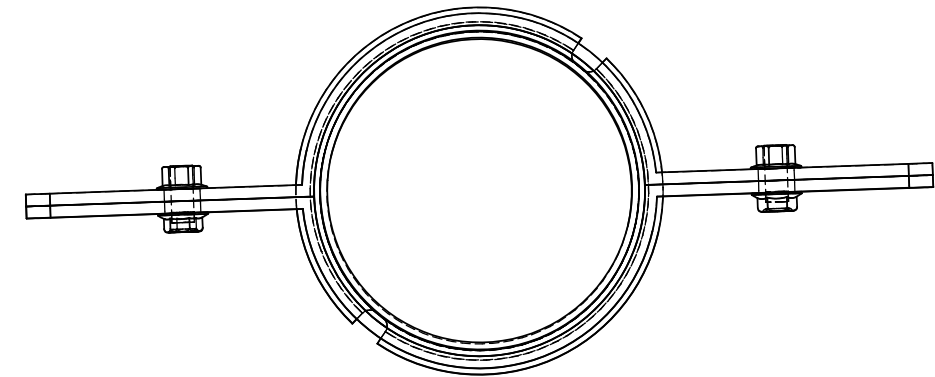
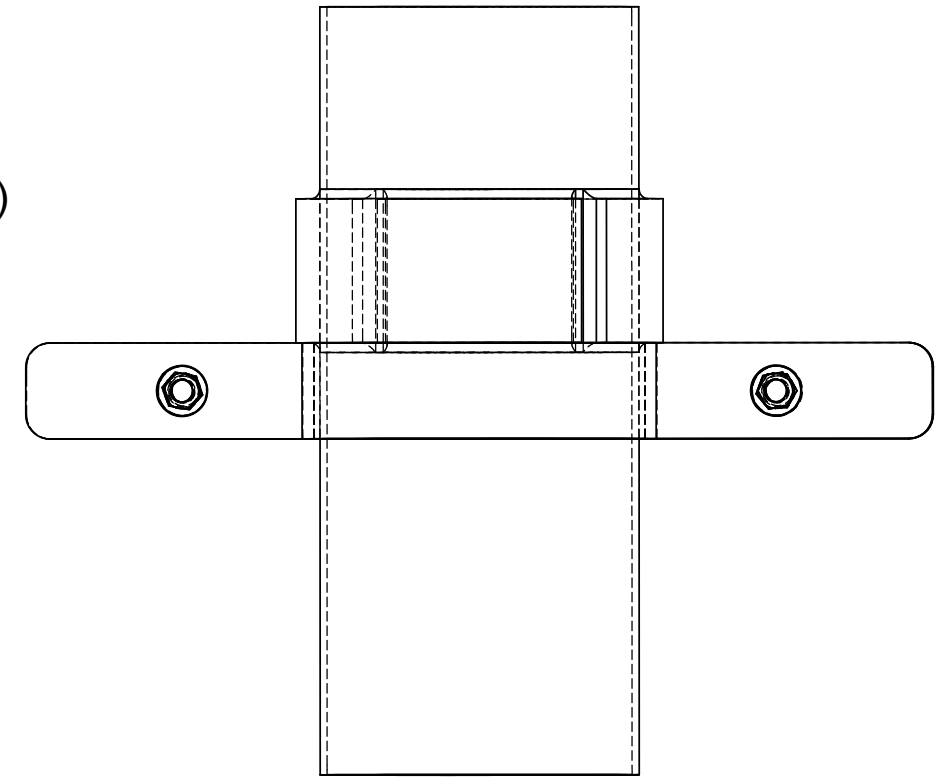
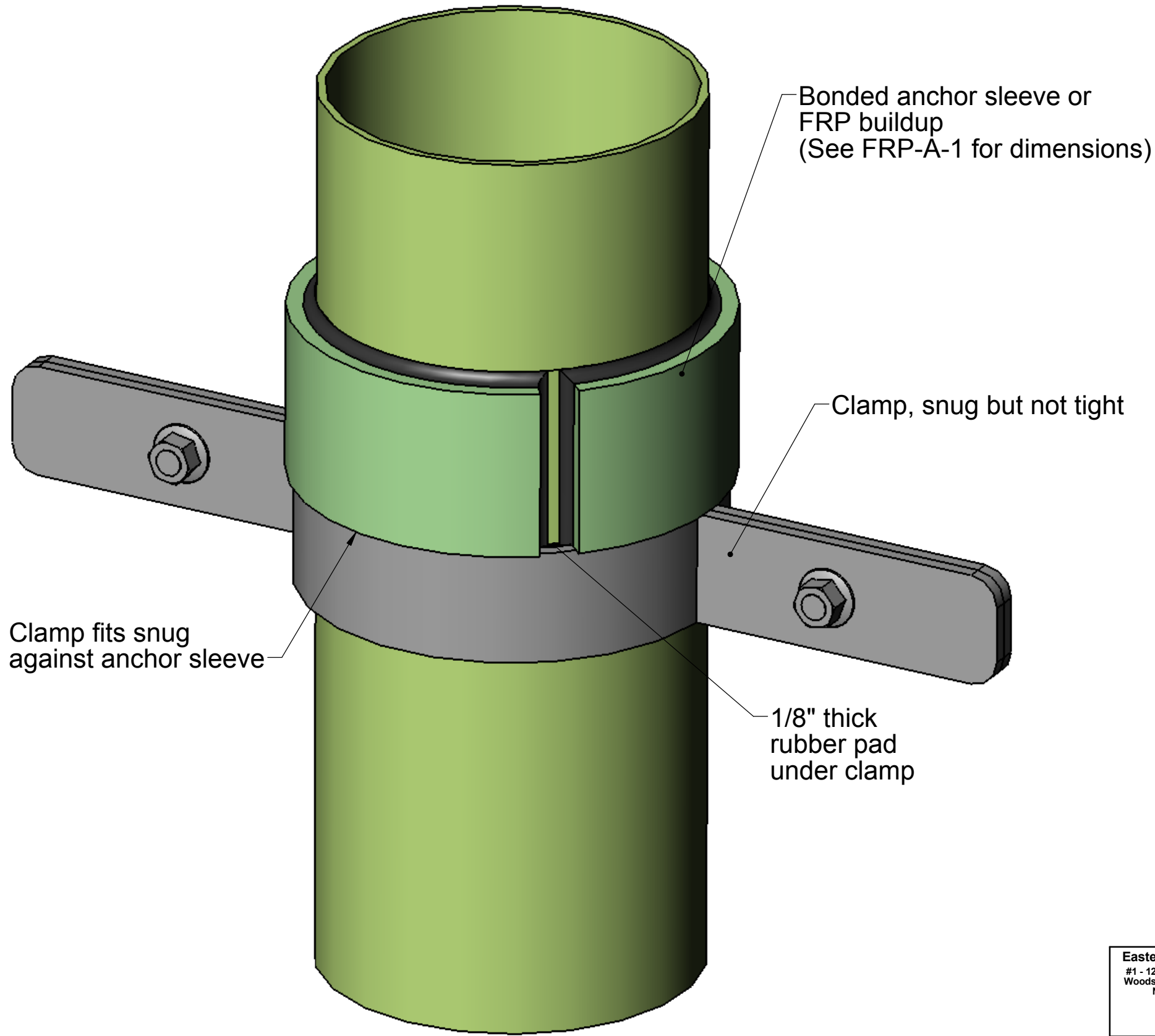


NOTES:

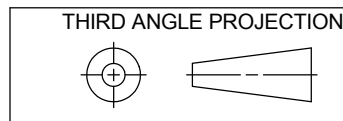


Eastern Canada #1 - 125 Main Street Woodstock, Ontario N4S 1T1  
 Western Canada #100, 18012 - 105 Avenue Edmonton, Alberta T5S 2P1  
 Toll Free: (800) 410-4802  
 Fax: (519) 537-8321  
 frp@frpsolutions.com

**Fibreglass Solutions Inc.**

**Riser Clamp**

**FRP-V-1**



CUSTOMER X		DATE 23 JAN 06		SIZE -	DRAWING NO.	REVISION
PROJECT Support, Anchor & Guide Design		DATE 28 Feb 06		SCALE Not to Scale	WEIGHT N/A lbs	SHEET 1 OF 1
DRAWN BY J.GANDER		DATE 23 JAN 06				
CHECKED BY B.GOWLAND		DATE 28 Feb 06				
APPROVED B.GOWLAND		DATE 18 APR 06				